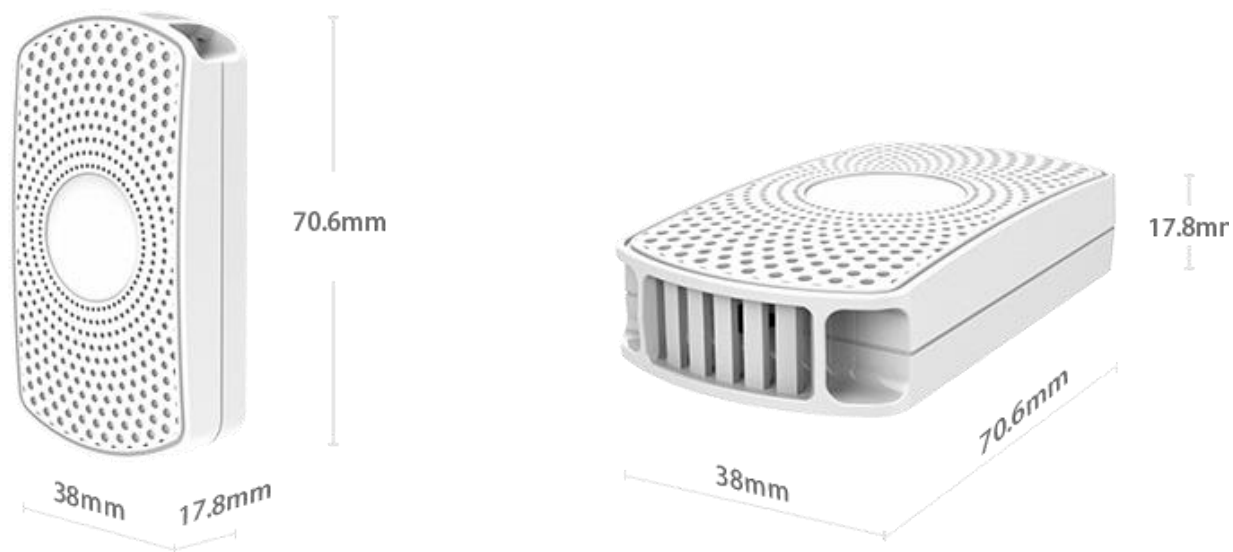


# Czujnik temperatury i wilgotności



Features	<p>IP65 waterproof level  Over 100 meters broadcasting range  Over 3 years battery life time  Ultra-low power consumption chipset nRF52832  High-accuracy digital temperature and humidity sensor inside  Very fast start-up and measurement time  Real-time data converting, storing and uploading  Excellent security mechanism  Supporting the customization service such as logo, firmware and other</p>	
Physical Property	<p>Model - S1  Waterproof Level IP65  Case material ABS  Case color White  Product size 70.6x38x17.8mm  Unit weight 43g  Battery type 2xFR03 Li-Fe battery  Voltage 3V  Data Indication -N/A, need to access data by app or gateway  Average power consumption 35uA  Transmission Range Max 100m in open space  Assemble 3M adhesive</p>	
Technical Parameter	<p>Temperature Measurement Range  Measure Accuracy  Measure Resolution  Humidity Range  Humidity Measure  Measure Accuracy  Measure Resolution</p>	<p>-40°C~70°C  10°C~50°C, ±0.5°C  ≤10°C or ≥50°C, ±2°C  0.05°C  0%RH~100%RH  0%RH~90%RH, ±2.5%RH  ≥90%RH, ±3.5%RH  0.05%RH</p>
Electrical Property	<p>Static Current - &lt;3uA  Peak Current &lt;8mA  Average Current &lt;35uA  Battery Type FR03  Battery Capacity 1250mAH  Lifetime Over 3 years</p>	